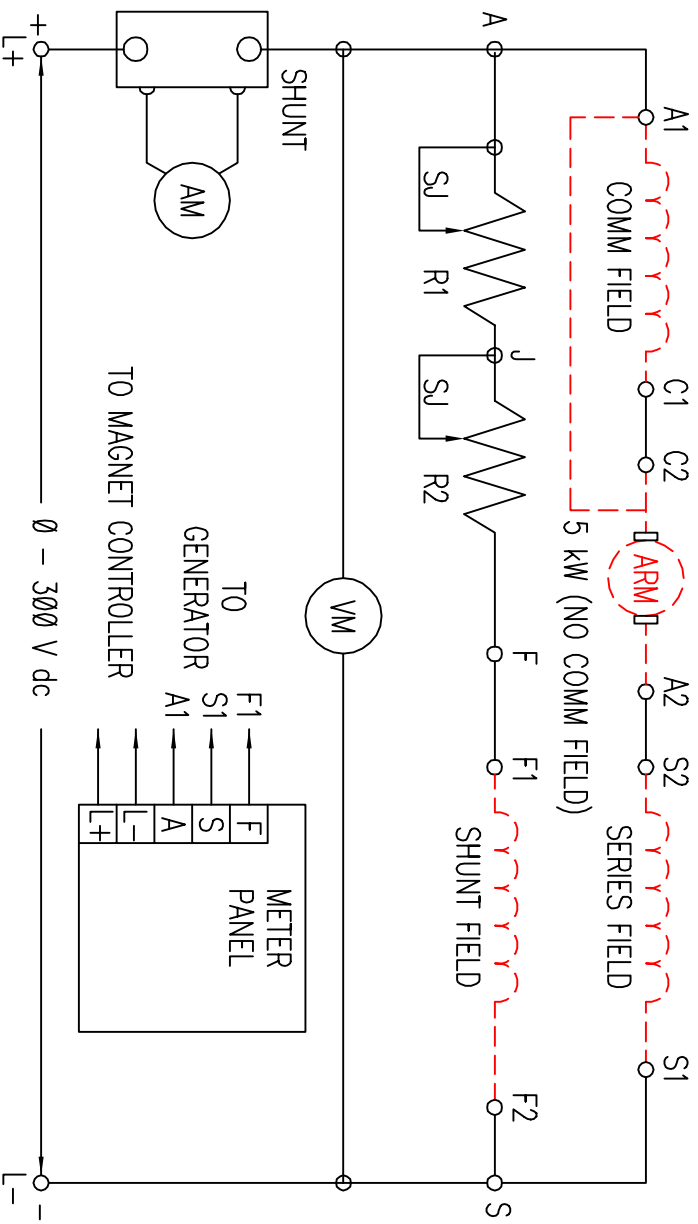


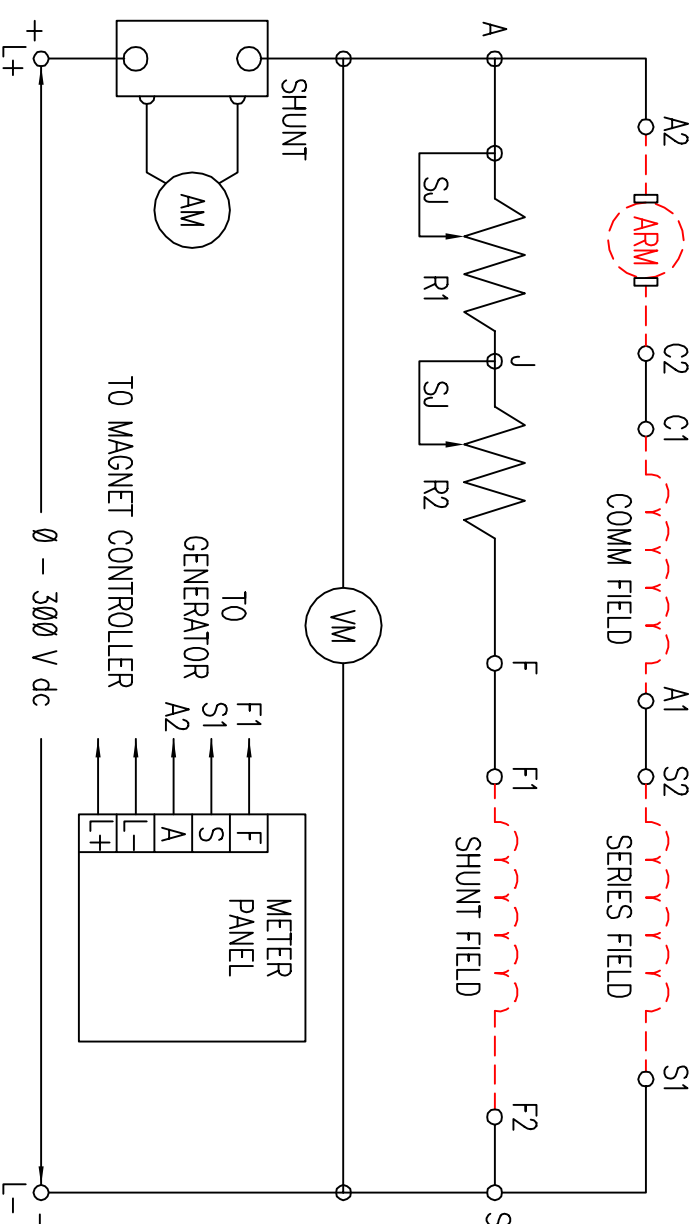
200.0

GENERATOR CONNECTION DIAGRAM

CLOCKWISE ROTATION FACING SHAFT END
5 kW THRU 33 kW



COUNTERCLOCKWISE ROTATION FACING SHAFT END
8 kW THRU 33 kW



100.0



THIS PART NUMBER MUST APPEAR ON DECAL

B-100653-03

DIM: mm

TOL: ±0.5 mm

20 APR 2007	JPS	REVISED	ER-3011-34
19 JAN 2004	JPS	REVISED	ER-3011-32
21 AUG 2002	JPS	NEW RELEASE	ER-4025-225

OHIO MAGNETICS, INC.
STEARNS MAGNETICS

SUBSIDIARY OF PEERLESS WINSMITH, INC.
MAPLE HEIGHTS, OHIO

PART GENERATOR CONNECTION DECAL
REMARKS FOR CONTROLLER BOX
DRAWN BY JPS DATE 20 AUG 2002
CHECKED BY SCALE 2:1
PART NO. B-100653-03